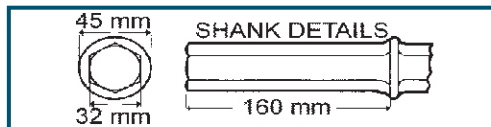


# Moil & Chisel Points for Breakers

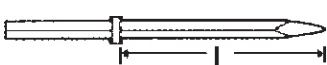




## Attention to detail pays off at the tip of the tool

A variety of moil points, narrow chisels, wide chisels, asphalt cutters and other breaker steels in different lengths and shanks are available. These can be used with various paving breakers, pick hammers, and chipping hammers.

Our accessories have met customer's specifications both in quality and value.



32 Hex x 160 Long Shank

Point Style	Catalogue No.	Length under Collar 'L' mm	Weight kgs
 Standard Moil Point	MP 320300 AA MP 320355 AA MP 320380 AA MP 320450 AA	300 355 380 450	3.0 3.3 3.5 4.0
 Standard Chisel (35mm width)	CP 320300 AA CP 320355 AA CP 320380 AA CP 320450 AA	300 355 380 450	3.0 3.3 3.5 4.0
 Wide Chisel (50mm width)	WC 320300 AA	300 380 450	3.1 3.6 4.1
 Asphalt Cutter (115mm width)	AC 320280 AA	280	4.2
 Digger Blade (85mm width)	DG 320380 AA	380	4.6

Note : Also available in 22mm & 25mm Hex Shank. Variations in Length will be  $\pm 10$ mm. Conforms to ISO shank dimensions for use on all standard pneumatic paving breakers.

## Industrial & Mining Tools Co Pvt Ltd

70 B, Lenin Sarani, Kolkata - 700 013, India Tel : +91 33 22444667, 2249 4439  
 Fax : +91 33 2265 7629, E-mail : info@miningtools.com, Website : www.miningtools.com



IKT-0188.07 / ISO 9001: 2000  
 CERTIFIED COMPANY